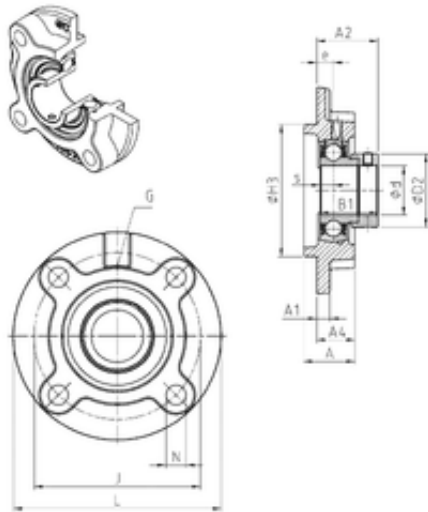




## Bofa Import and Export Co., Ltd.



### SNR ESFC208 bearing units

Bearing No. ESFC208

Bore Diameter	40 mm
d	40 mm
H3	100 mm
A4	26 mm
e	11 mm
s	11 mm
A	36 mm
A1	9 mm
B1	43,7 mm
D2	60,3 mm
J	120 mm
L	145 mm
N	14 mm
Thread (G)	M6x1
A2	43,7 mm
Weight	2 Kg
Basic dynamic load rating (C)	29,6 kN

ESFC208 Bearing 2D drawings and 3D CAD models