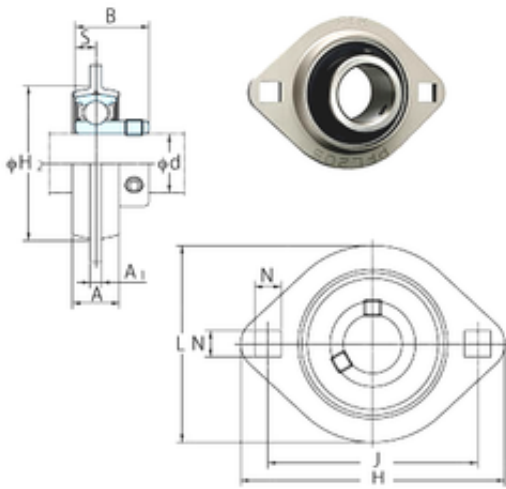




Bofa Import and Export Co., Ltd.

FYH SBPFL207-20 bearing units

Bearing No. SBPFL207-20



SBPFL207-20 Bearing 2D drawings and 3D CAD models

Bore Diameter	31,75 mm
Width	32 mm
d	31,75 mm
A	22 mm
A1	5,2 mm
B	32 mm
H	122 mm
H2	81 mm
J	100 mm
L	94 mm
N	11 mm
S	8,5 mm
Bolt (G)	M10
Weight	0,66 Kg
Basic dynamic load rating (C)	25,7 kN
Basic static load rating (C0)	15,4 kN