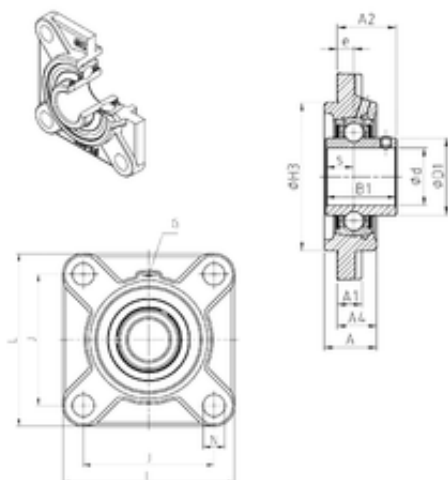




Bofa Import and Export Co., Ltd.



UCFS317 Bearing 2D drawings and 3D CAD models

SNR UCFS317 bearing units

Bearing No. UCFS317

Bore Diameter	85 mm
d	85 mm
H3	220 mm
A4	54 mm
e	24 mm
s	40 mm
A	74 mm
A1	27 mm
B1	96 mm
D1	114 mm
J	204 mm
L	260 mm
N	31 mm
Thread (G)	M10x1
A2	80 mm
Weight	17,3 Kg
Basic dynamic load rating (C)	132,6 kN
B	96 mm
G	M10x1
s1	48 mm
S	40 mm
C	132.6 kN
C0	96.5 kN
T min.	-20 ° C
T max.	100 ° C
Recommended tightening	64 Nm



Bofa Import and Export Co., Ltd.

torque for set screw	
Designation of housing	FS317-
Designation of bearing	UC317G2